

# Pharma Metal Detector SS 30-PH

For detection of metal contamination  
in Tablets and Capsules



- ❖ Extremely Super Sensitive Detection of all types of Metals
- ❖ HMI Display
- ❖ Auto Product Tracking
- ❖ Validation Using Prompt
- ❖ Rejection with Fail Safe Mechanism and Reject Confirmation
- ❖ Statistical Data with Event Time Stamping
- ❖ Digital Gains and Filters for Enhanced Sensitivity
- ❖ Phaser Display to Analyze Type of Metal Contamination
- ❖ Parallel Ticket Printer Port & Ethernet Port



**TECHNOFOUR ELECTRONICS PVT. LTD.**

## Pharma Metal Detector metaltrap SS 30

is an Eddy current DSP based Digital Metal Detection system designed for Pharmaceutical industry for detecting metal contamination in tablets / capsules, preferably installed after Deduster. It can also be used in confectionery industry for detecting metal contamination in candies. The system is designed and manufactured to meet the stringent requirement and hygienic standards of pharmaceutical industry.

## FEATURES

Extremely High Detection System for All Metals

Sophisticated Intelligent Software to Detect Minute Metal Particles in Addition to Phase Sensitive Detection

HMI Display

Auto Setting Facility

Product Tracking

Validation Using Prompt

Reject Confirmation System

200 Product Memory

3 Level Complex Password

Continuous ON Line Self Check Monitoring System

Reject Time Stamping

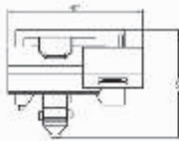
Fail Safe Mechanism

Digital Control and Signal Processing

Set Parameter Data Retention on Loss of Power

Buzzer on Detection of Metal Contamination

Bargraph and Numeric Display



### TEST COIL

Aperture size : 95 mm(W) x 22 mm(H)\*

### REJECTION MECHANISM

Electrically Operated with Fail Safe Mechanism and Reject Confirmation

### STAND IS PROVIDED WITH

Gas strut for Height Adjustment

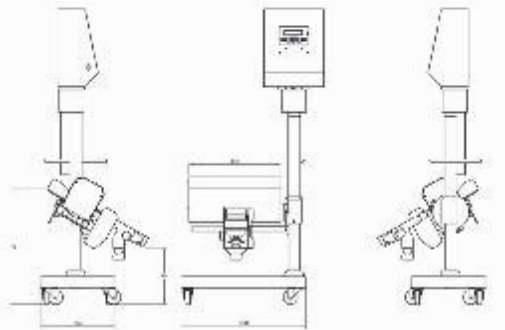
Wheels for Transportation Movement

Adjustment for Changing the Angle of the Test Coil

### UTILITY REQUIREMENT

Electrical : 220V AC / 50 Hz / 200 VA / 110 V AC, 60 Hz (optional)

\* Different Apertures available on request



## TECHNOFOUR ELECTRONICS PVT. LTD.

Gat No.3(PT), 5(PT), 243(PT), Kasurdi (Kheba), Khed Shivapur-  
Saswad Road, Post : Khed Shivapur, Taluka : Bhor,  
District : Pune 412 205. Maharashtra, India.  
Tel : + 91-2113-305200, 305246 Fax : + 91-2113-305250  
Email : pcssales@tepl.co.in, teplinbox@gmail.com  
Website : www.teplindia.com