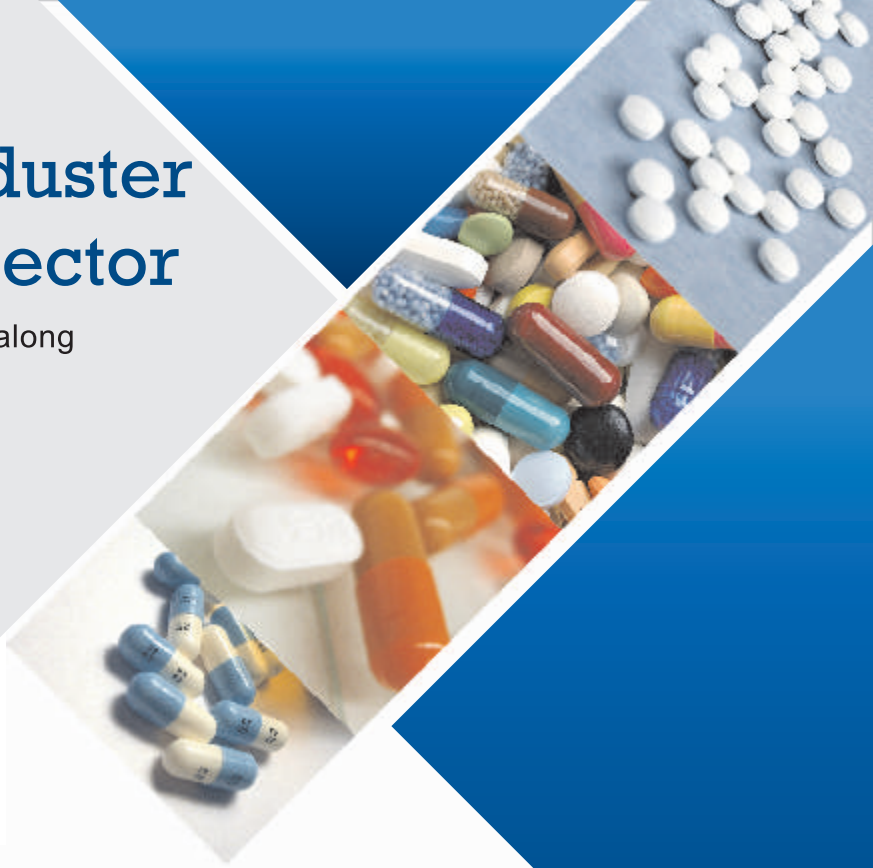


Combo Deduster + Metal Detector

For high quality dedusting along
with metal detection



- ❖ Drive Unit of Deduster is of International Quality and Not Motorized One
- ❖ Effect of Vibrations on Metal Detector has been completely Nullified, hence Metal Detector can be used optimally
- ❖ Even Single Tablet Also travels from bottom to top
- ❖ Gas Spring used for height adjustment
- ❖ Elevations of tablets through multiple no. of spirals
- ❖ Independent power and frequency adjustment



Combo Deduster + Metal Detector

consists of vertical Deduster bottom to top integrated with Digital Metal Detector. The Deduster is provided with frequency and voltage (power) control insuring effective Dedusting and Deburring. The entire Dedusting settings are controlled from the Metal Detector. The inlet can be rotated through 360° and hence the same can be used for Right or Left outlet of compression machine conveniently. The system is designed to ensure ease for cleaning and the entire Deduster assembly can be dismantled and assembled with in minutes without any tools.

FEATURES

- Drive Unit of Deduster is Not Motorized One
- Dust Collection Through Separately Provided Dust Chute
- Effect of Vibrations on Metal Detector Has Been Completely Nullified, Hence Metal Detector Can Be Used Optimally
- Single Tablet Also Travels with Same Speed and Cleared Completely
- Gas Spring Used for Height Adjustment

TECHNICAL SPECIFICATIONS (10 LAYER)

Dimension	: 720 mm to 1070 mm
- Inlet Height	835 mm to 1185 mm
- Outlet Height	1450 mm (H) x 600 mm (W)
- Overall Dimensions	x 370 mm (L)

Material of Construction

- Contact Parts	: SS 316 / Food Grade
- Non-Contact Parts	: SS 304
- Suction Facility	: Recommended CFM20

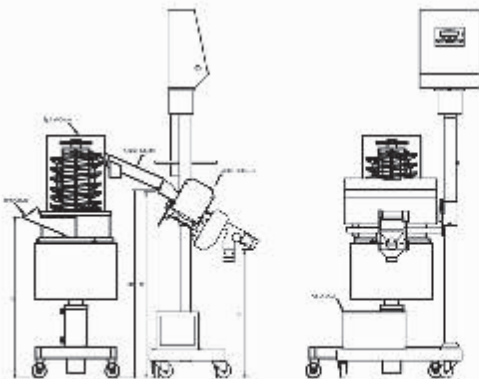
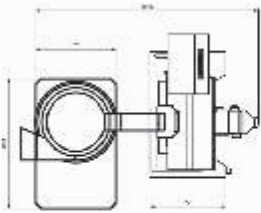
Up and Down Sliding Movement : Easily Adjustable using gas strut

Total Travel Length : 5 meters

Direction : Bottom - Top

Power Supply : 230V AC, 50 Hz/110V AC, 50 Hz

* Due to continuous development, specifications subject to change without notice.



TECHNOFOUR ELECTRONICS PVT. LTD.

Gat No.3(PT), 5(PT), 243(PT), Kasurdi (Kheba), Khed Shivapur-
Saswad Road, Post : Khed Shivapur, Taluka : Bhor,
District : Pune 412 205. Maharashtra, India.
Tel : + 91-2113-305200, 305246 Fax : + 91-2113-305250
Email : pcssales@tepl.co.in, teplinbox@gmail.com
Website : www.teplindia.com